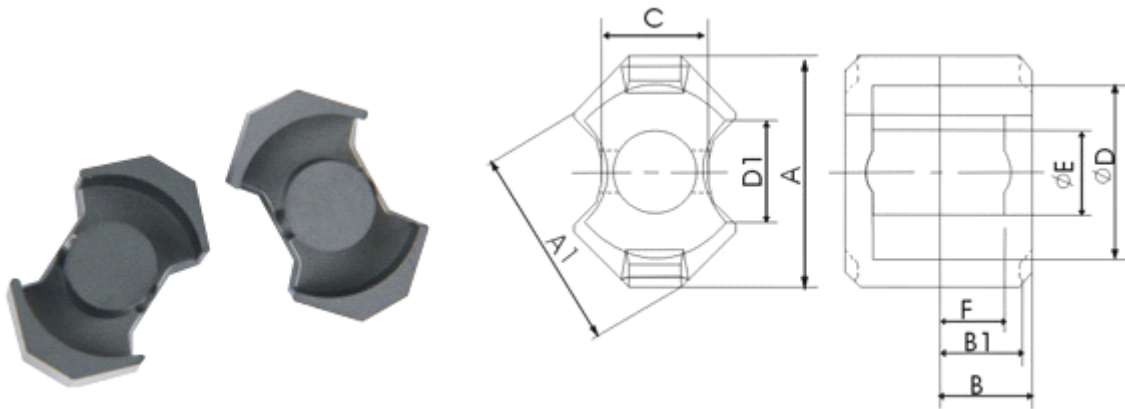


## RM CORES



## RM CORES (Dimensions)

TYPE	Dimensions								unit: mm
	Fig	A	A1	2B	C	D	E	2F	W (g/set)
Rm5	1	14.30±0.30	12.05±0.25	10.40±0.10	6.60±0.20	10.40±0.20	4.80±0.10	6.50±0.20	3.0
Rm6	2	17.60±0.30	14.40±0.30	12.40±0.10	8.00±0.20	12.65±0.25	6.30±0.10	8.20±0.20	5.3
Rm8	1	22.75±0.45	19.30±0.40	16.40±0.10	10.80±0.20	17.30±0.30	8.40±0.15	11.00±0.20	12.0
Rm10	1	27.85±0.65	24.15±0.55	18.60±0.10	13.25±0.25	21.65±0.45	10.70±0.20	12.70±0.30	22.0

## Core Set Parameters

TYPE	C1(mm)	Le(mm)	Ae(mm)	Ve(mm)	AL±25%(nH/N)				
					Lp4	Lp44	Lh5	Lh7	Lh10
Rm5	0.93	22.1	23.8	2525.98	1920	2000	3600	5300	7000
Rm6	0.78	28.6	36.8	1046.76	2300	2400	4500	6300	9000
Rm8	0.59	38.0	64.0	2432.00	3160	3300	5920	8000	13000
Rm10	0.45	44.0	98.0	4312.00	4030	4200	7800	11000	16800